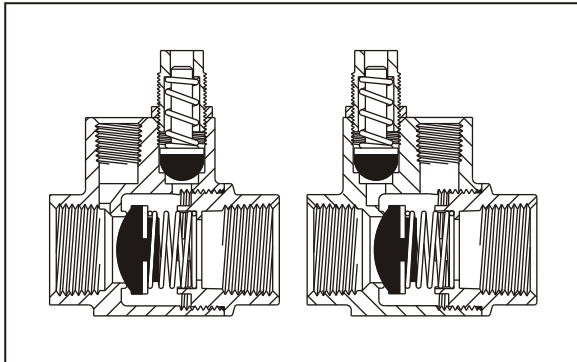
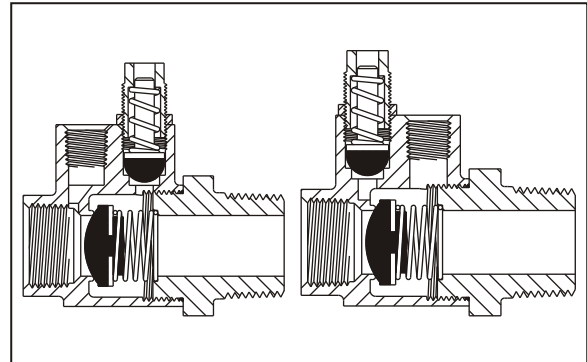


MISCELLANEOUS VALVES

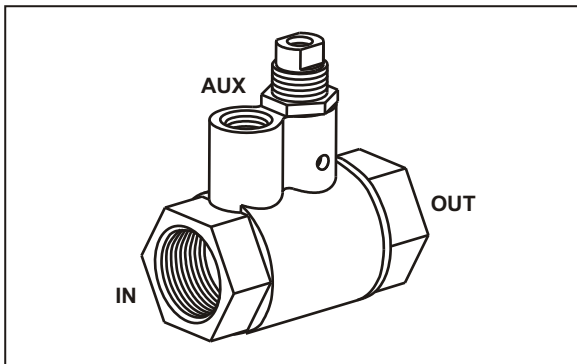
Combination Valves



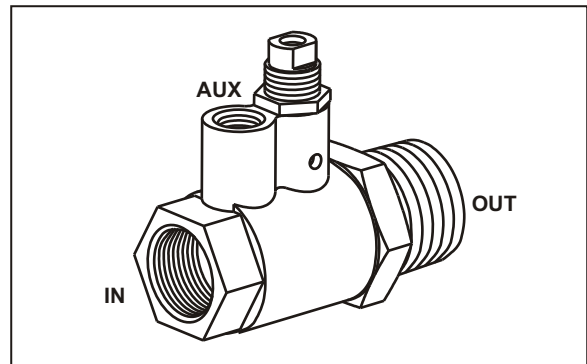
110128 & 110130



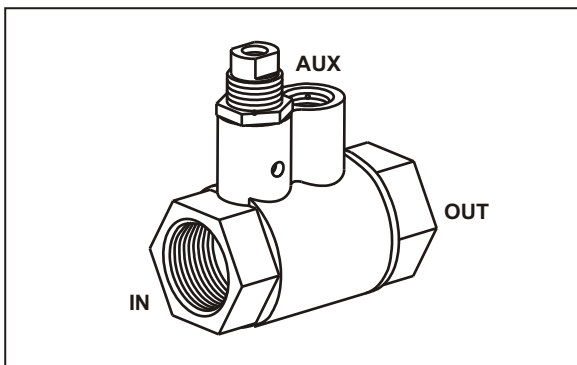
110129 & 110131



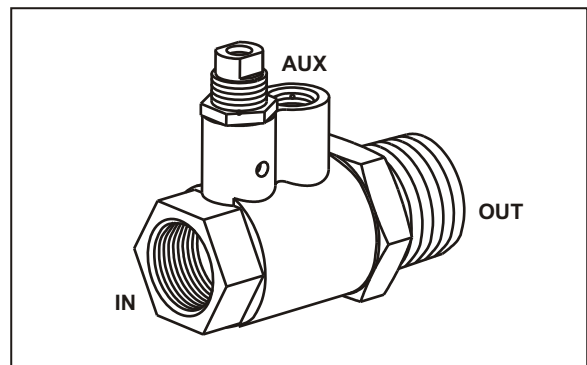
110128



110129



110130



110131

- Commonly used on air starter systems
- Combination Valves act as a one-way check valve, pressure relief valve & manual drain

PART NUMBER	PORT SIZES (NPT)		
	Inlet	Outlet	Aux.
110128	3/4"	3/4"	1/4"
110129	3/4"	1"	1/4"
110130	3/4"	3/4"	1/4"
110131	3/4"	1"	1/4"