



## Technical Data

### 10900, 11900, 110486, and 110250 Air Starter Valve

#### Operating Environment

Maximum Operating Pressure: 150 psi  
Maximum Operating Temperature: 200F/93C Degrees  
Minimum Operating Temperature: -40F/C Degrees

#### \*Performance

Flow Rating @ 50 psig: 1574 SCFM  
Flow Rating @ 75 psig: 2297 SCFM  
Flow Rating @ 100 psig: 2881 SCFM  
\*Using gaseous nitrogen

#### Control Pressure Required To Open Valve

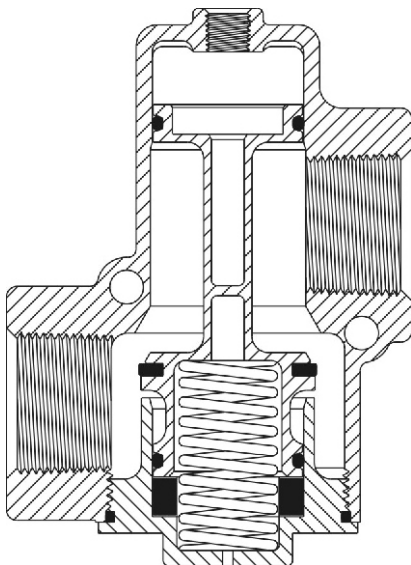
150 PSI Supply: 65 PSI (Approximate)  
120 PSI Supply: 55 PSI (Approximate)  
60 PSI Supply: 34 PSI (Approximate)

#### Notes

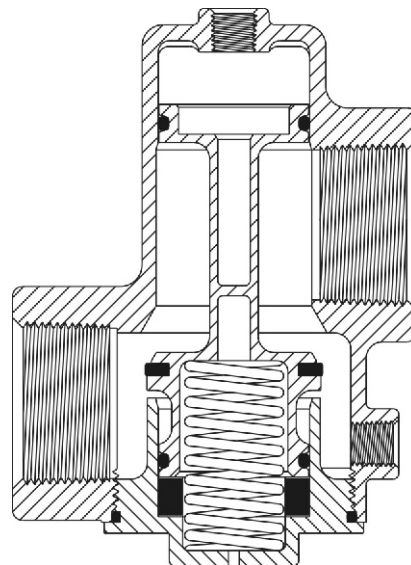
Designed for use in pneumatic systems.

Complies with PED Article 3 Paragraph 3 concerning sound engineering practice.

11900 & 110486



10900 & 110250





## Technical Data

### 14900 and 110390 Air Starter Valve

#### Operating Environment

Maximum Operating Pressure: 150 psi

Maximum Operating Temperature: 200F/93C Degrees

Minimum Operating Temperature: -40F/C Degrees

#### \*Performance

Flow Rating @ 50 psig: 1228 SCFM

Flow Rating @ 75 psig: 1703 SCFM

Flow Rating @ 100 psig: 2235 SCFM

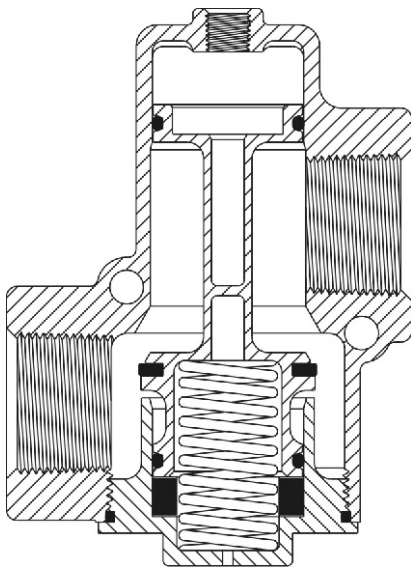
\*Using gaseous nitrogen

#### Notes

Designed for use in pneumatic systems.

Complies with PED Article 3 Paragraph 3 concerning sound engineering practice.

14900



110390

