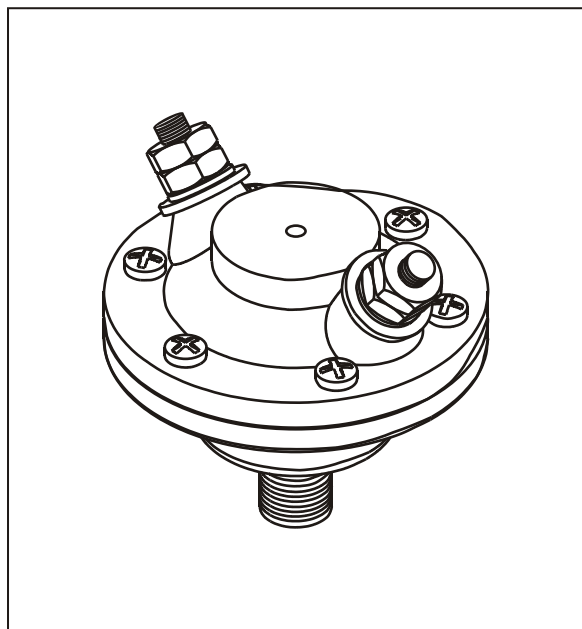
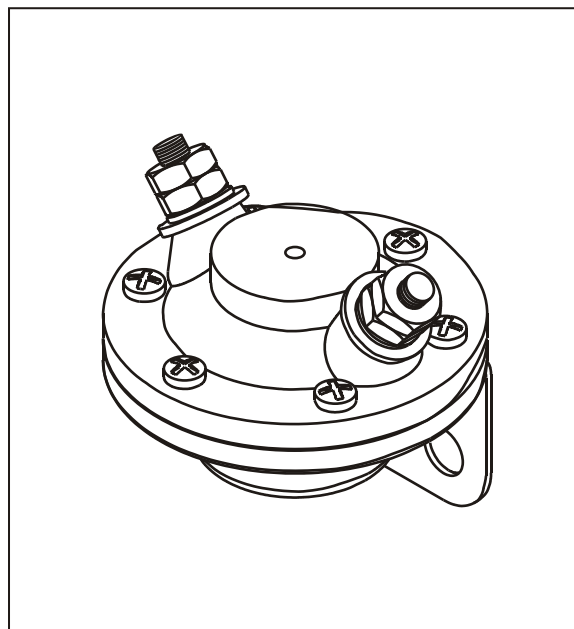


MISCELLANEOUS VALVES

Stop Light Switches



8100



8100B

INFORMATION:

- Stop Light Switches are designed to complete an electrical connection to the stop lights when the air pressure supplied to the switch reaches approximately 2 psi
- **REPAIR KIT 81-5**

PART NUMBER	FITTING	PORT	MOUNTING
8100	1/4" NPT	n/a	Nipple
8100B	None	1/8 - 27 NPSF	Bracket 820