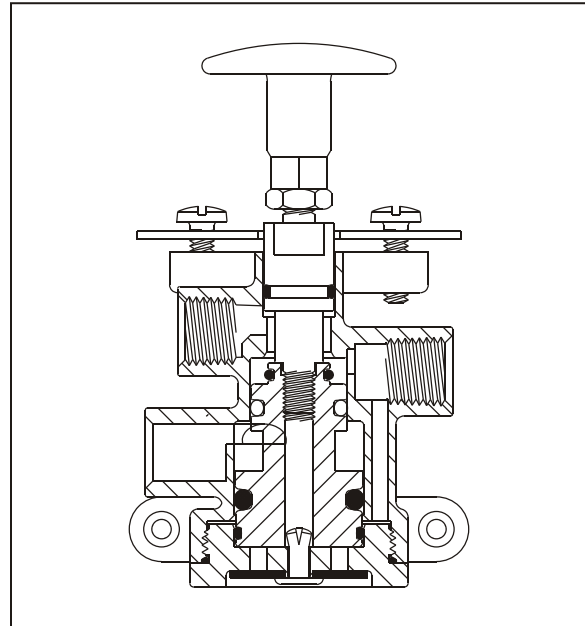
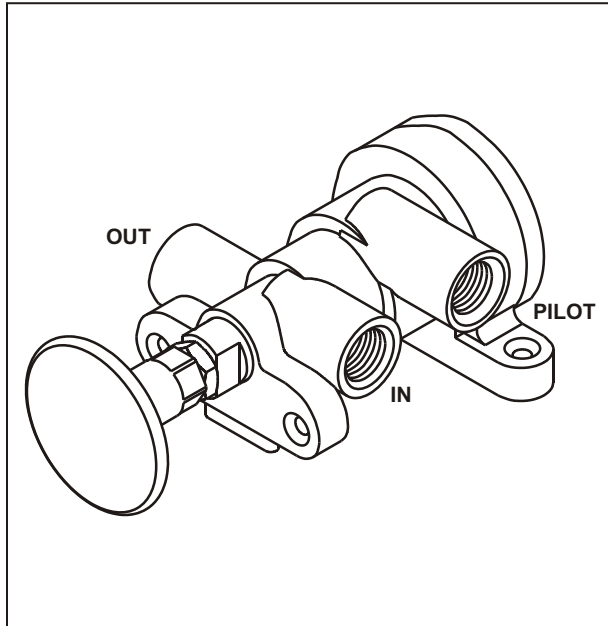


SUSPENSION CONTROL VALVES

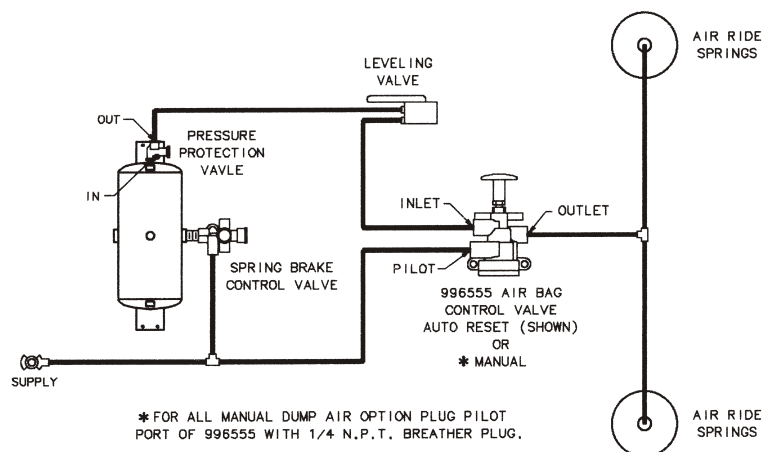


Air Bag Control Valve – Manual Or Automatic Operation



INFORMATION:

- Commonly used to control the inflation & deflation of air suspension bags
- In manual mode, allows for movement of trailer without re-inflating air bags
- In auto reset mode, valve resets to fill air bags when trailer parking brakes are released
- Operates with all air suspension systems
- For **MANUAL** operation, insert the “Breather Plug” into Pilot Port, do not use any sealant on plug
- For **AUTO RESET** operation, discard the “Breather Plug” and connect the Pilot Port to the supply line



PART NUMBER	PORT SIZES (NPT)		
	Inlet	Outlet	Pilot
996555	1/4"	1/4"	1/4"