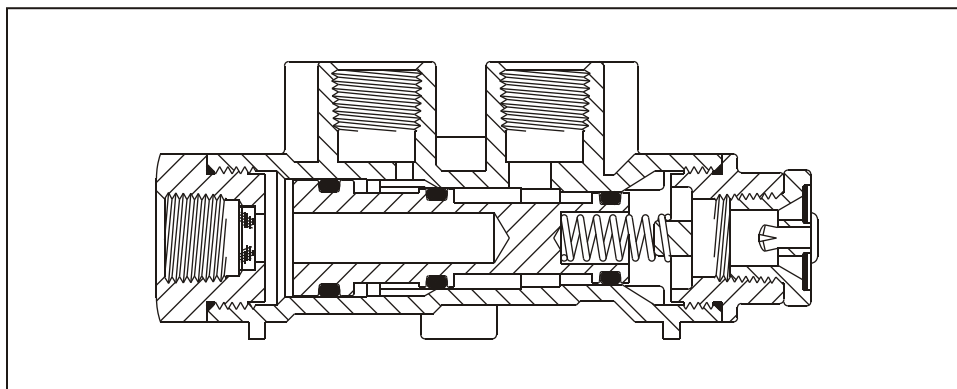
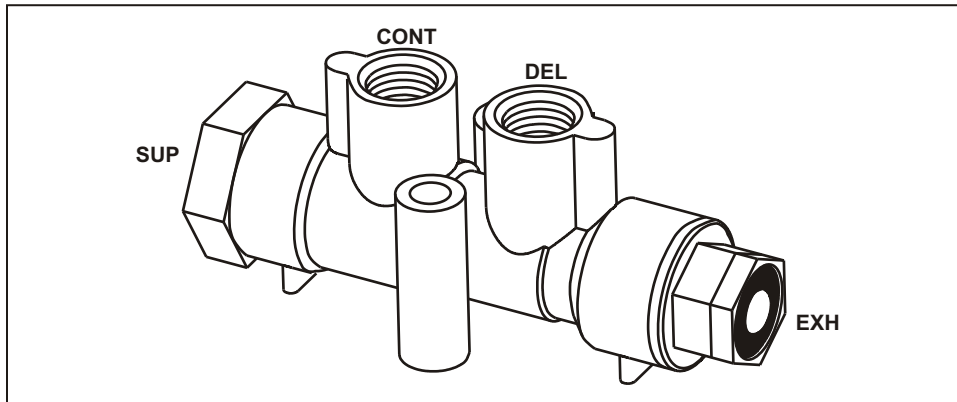


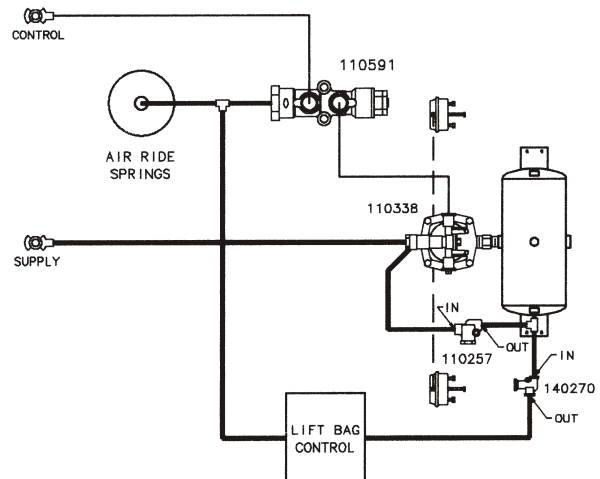
SUSPENSION CONTROL VALVES

Lift Axle Control Valve



INFORMATION:

- Commonly used on trailers with one or more lift axles
- Pressurizing the lift axle air spring to lift the axle causes the 110591 to close the control port and exhausts the delivery port preventing the service brakes from applying while the axle is in the up position



PART NUMBER	PORT SIZES (NPT)		
	Supply	Control	Delivery
110591	3/8"	3/8"	3/8"