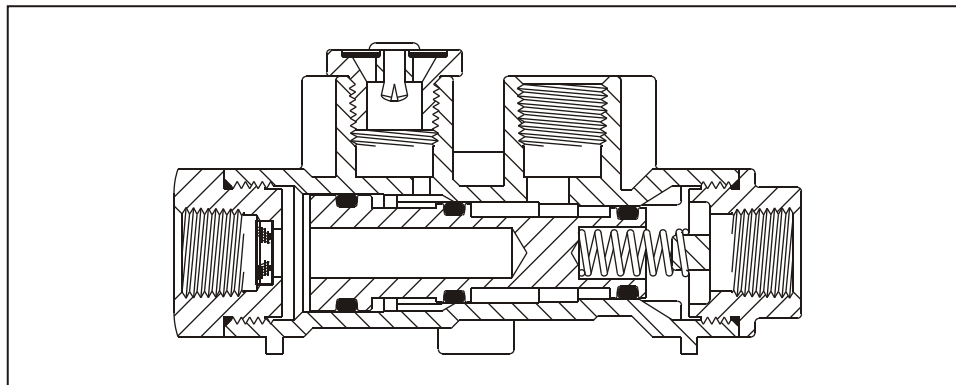
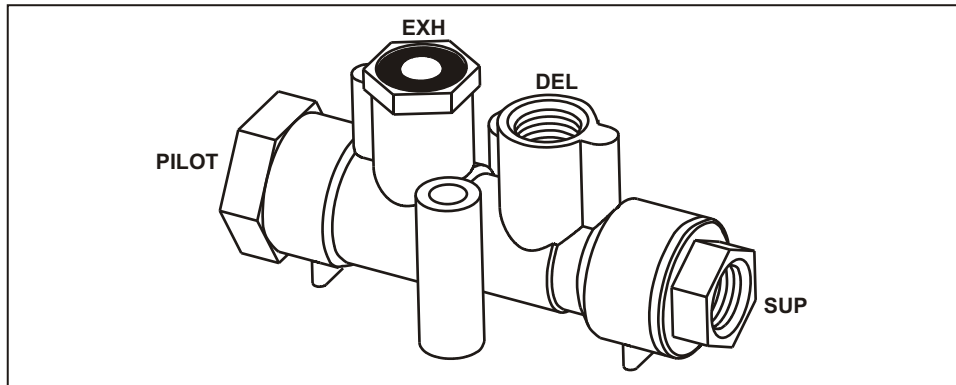


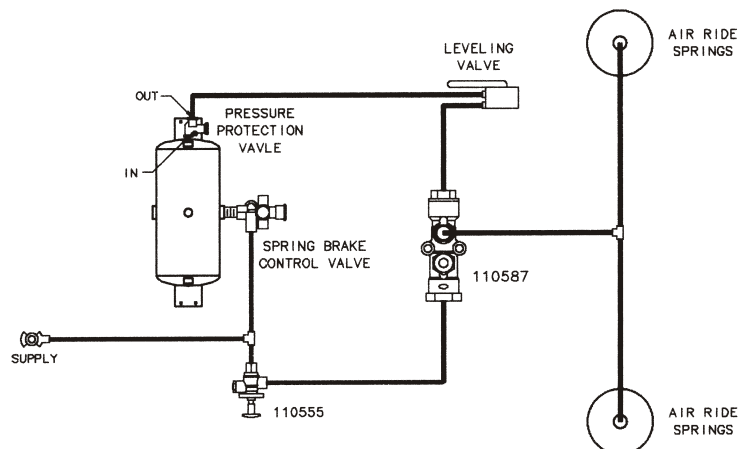
# SUSPENSION CONTROL VALVES

## Air Suspension Pilot Valve



### INFORMATION:

- Pilot air pressure directly from the trailer supply line, or a manual control valve, opens the supply port of the Air Suspension Pilot Valve and allows the leveling valve to fill the air suspension bags
- Discharging the pilot air closes the Air Suspension Pilot Valve which blocks the delivery of air from the leveling valve and exhausts the air suspension bags



PART NUMBER	PORT SIZES (NPT)			
	Supply	Delivery	Exhaust	Pilot
110587	3/8"	3/8"	3/8"	3/8"