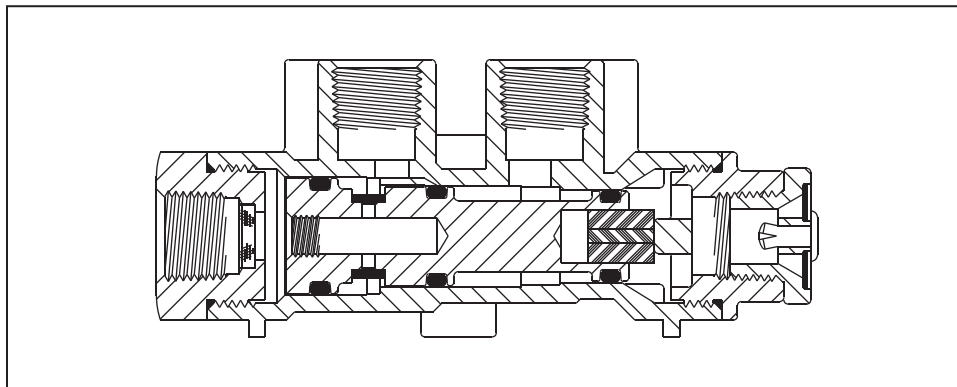
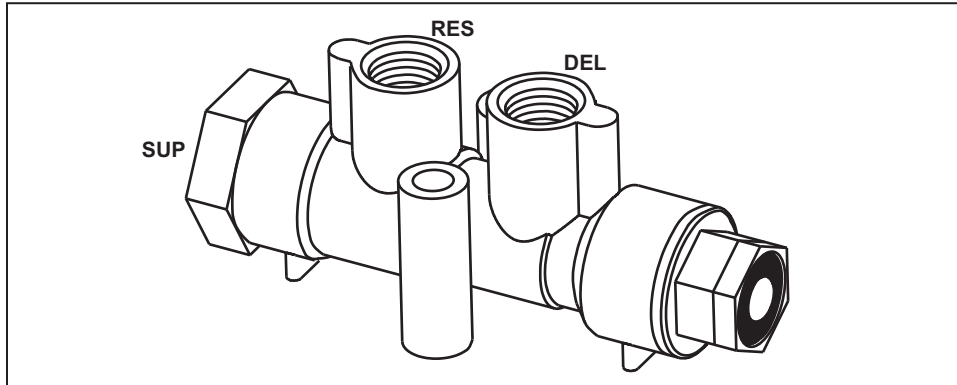


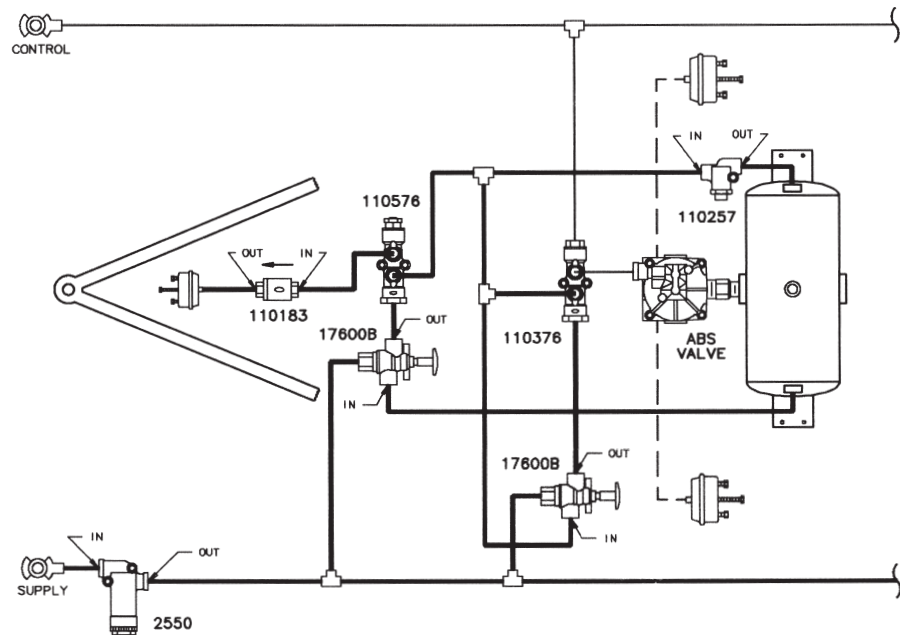
# MISCELLANEOUS VALVES

## Emergency Control Drawbar Valve



### INFORMATION:

- Commonly used to operate a drawbar on transfer trailers



PART NUMBER	PORT SIZES (NPT)	
	Supply	Reservoir
110576	3/8"	3/8"