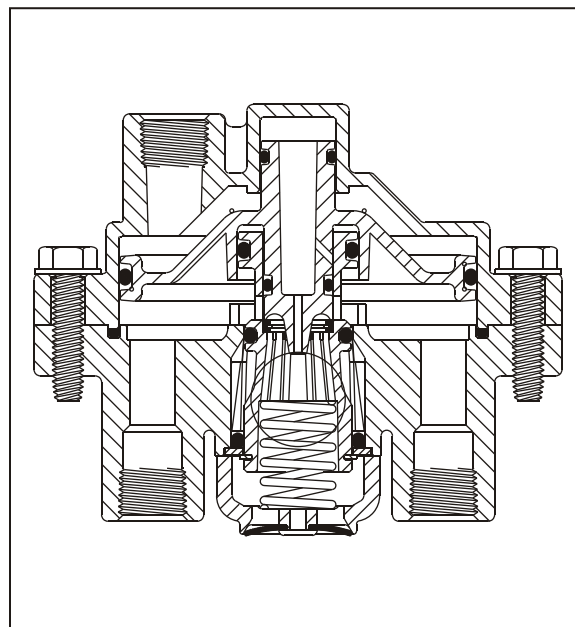
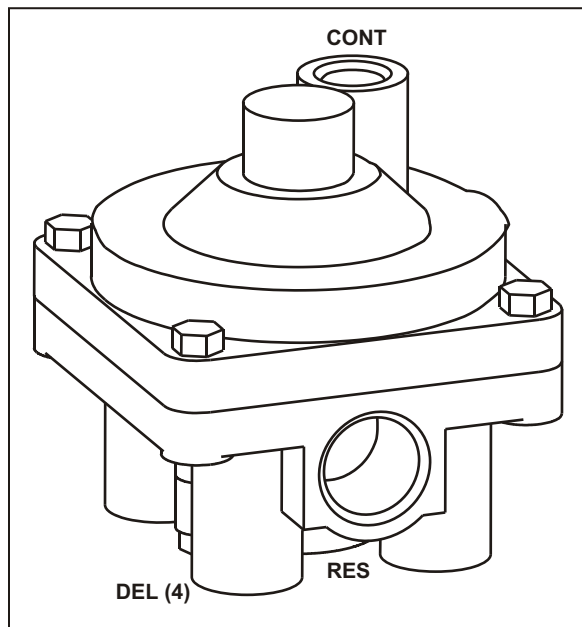


# SERVICE RELAY VALVES

## Service Relay Valves (4 Delivery Ports)



### **INFORMATION:**

- Nipple mounted 110380 & 110415 are used primarily for tandem axle trailer service brakes with four brake chambers
- 110385 may be used as a frame mounted version of 110380
- 110416 & 110448 commonly used as a tractor, straight truck or trailer Service Relay Valve
- Mounting Hardware on pages 61 & 62
- No Plug Units or Repair Kits available

PART NUMBER	PORT SIZES (NPT)			NOMINAL CRACK PRESSURE	MOUNTING INFORMATION
	Control	Reservoir	Delivery		
110380	3/8"	3/4"	3/8"	1.5 psi	Use 6003 or 6006 nipple
110385	3/8"	3/4"	3/8"	1.5 psi	Frame Bracket Kit 110395 included
110415	3/8"	3/4"	3/8"	4.0 psi	Use 6003 or 6006 nipple
110416	3/8"	3/4"	3/8"	4.0 psi	Frame Bracket Kit 110395 included
110488	3/8"	3/4"	3/8"	5.5 psi	Use 6003 or 6006 nipple
110615	3/8"	3/4"	3/8"	4.0 psi	Use 4 - #2030 screws