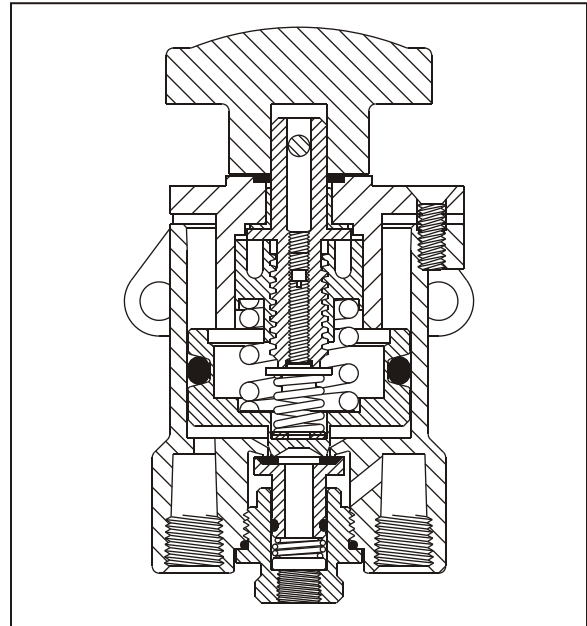
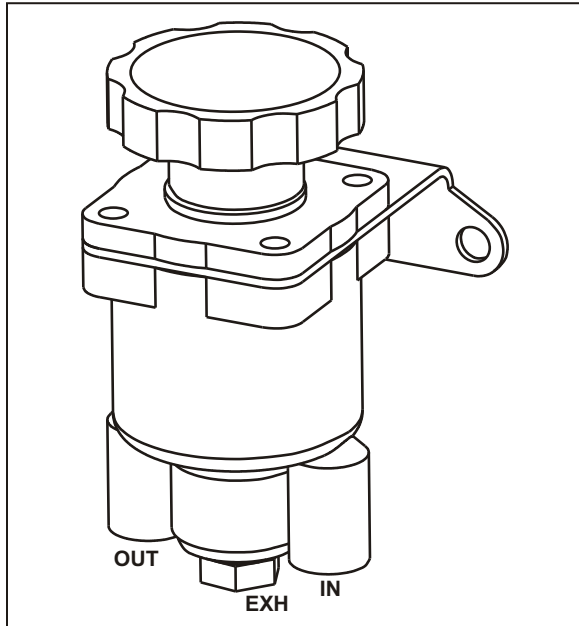


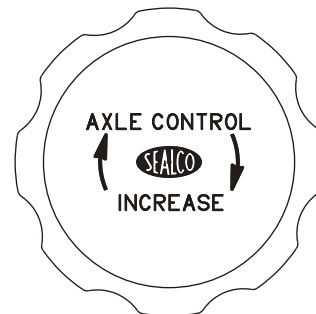
HAND CONTROL VALVES

Pressure Control Valves



INFORMATION:

- Commonly used on tractor tag axles & pusher axles
- Manual knob operation
- **PLUG UNIT 9400-5**
- **REPAIR KIT 94-5**



PART NUMBER	PORT SIZES (NPT)			NOMINAL PRESSURE SETTING
	Inlet	Outlet	Exhaust	
9400	1/4"	1/4"	1/8"	5 to 6 psi to 85 psi Max.
940000	1/4"	1/4"	1/8"	0 psi to Reservoir Pressure