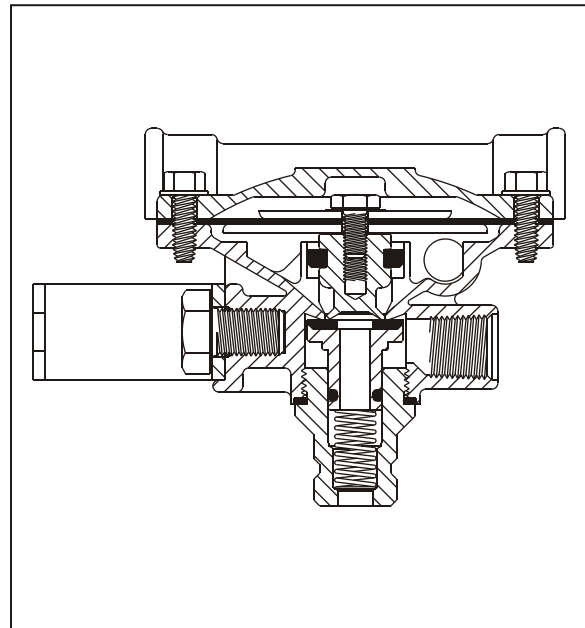
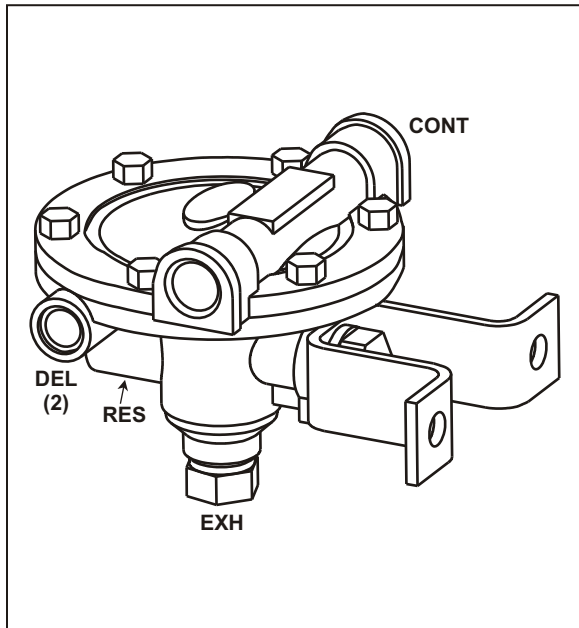


CONTROL LINE VALVES

Control Line Valve (Mini Valve) – Dollies



INFORMATION:

- Early version control line valve used primarily on dollies
- Complies with brake timing changes in FMVSS 121, Docket 85-07, Notice 4 from May 1991 to August 1993
- Improves application and release of brakes on dollies and rearmost trailer axles in double and triple trailer combinations.
- Plug all unused ports
- Can be replaced by Sealco 110570 or 110580
- **PLUG UNIT ASSEMBLY 3100-5**
- **RUBBER REPAIR KIT 31-5**

PART NUMBER	PORT SIZES (NPT)			NOMINAL CRACK PRESSURE
	Control	Reservoir	Delivery (2)	
3100	1/4"	3/8"	1/4"	2.5 psi